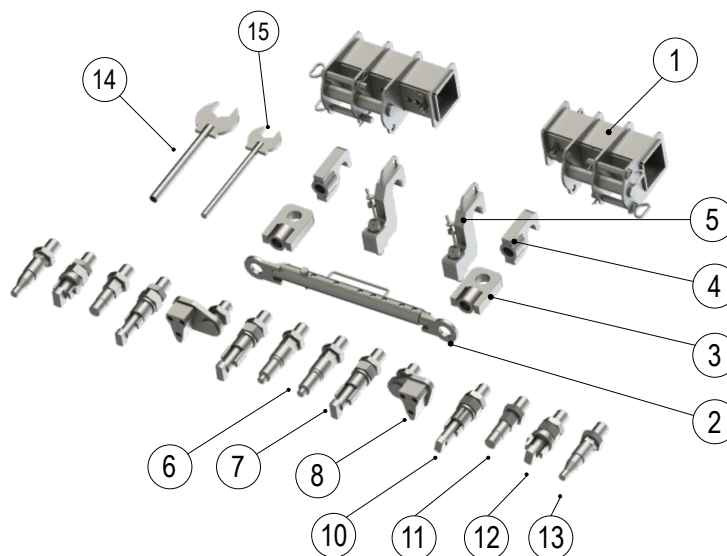


## ESSEL TOWING TOOLS SET

### PRODUCT OVERVIEW

Designed and manufactured with a sense for detail. You can rely on it.



### USAGE

Towing tools set is compatible with all truck manufacturers and helps you reach high efficiency by towing crashed or broken trucks. They are produced on ultra precise CNC milling machines from high strength steel with a galvanized finish for a long life and durability.

Position 1- Towing adapter /120x120, 112x104 etc./  
Position 2- Brace  
Position 3- Adapter holder close  
Position 4- Adapter holder open  
Position 5- Lifting adapter SCANIA  
Position 6- Lifting adapter DAF XF 106  
Position 7- Adapter DAF CF

Position 8- Scania New Gen  
Position 10- Adapter DAF XF 105  
Position 11- Adapter MAN, MERCEDES, RENAULT  
Position 12- Adapter VOLVO OLD  
Position 13- Adapter VOLVO NEW  
Position 14- Fork wrench 75  
Position 15- Fork wrench 55

### TECHNICAL SPECIFICATION

#### CHASSIS MANUFACTURER

Scania  
Scania NEW GEN  
Volvo Gamla  
Volvo New  
Mercedes  
MAN  
Renault  
DAF XF 105, 106

#### FEATURES

Made of high tensile steel  
Galvanized finish  
Precisely CNC machined